

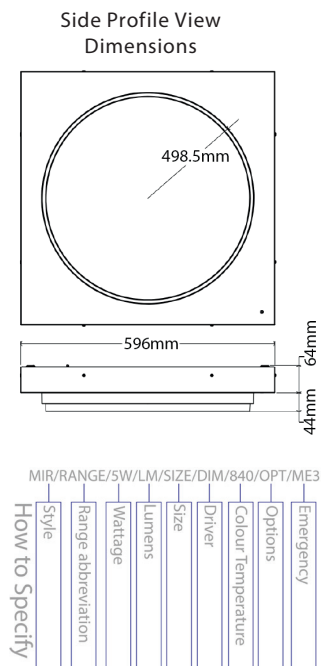
Recessed



**An attractive dropped dish diffuser that is ideal for circulation spaces and breakout areas. The dropped diffuser provides all around illumination.**

- A lumen outputs of 1760lm or 3136lm
- Colour Temperatures: 3000k - 4000k - 6000k
- Available with Air Handling (/AH)
- Available with Dimming (/STD/DALI/SDIM/MDIM)
- Wireless Control (/WI)
- Available with Emergency (/ME3/ME3-ST/ME3-PRO)
- Wireless Emergency (/ME3-WI)
- Diffuser: Dropped Diffuser (/DD)
- Exposed Tee ceilings, Spring Tee and other ceiling options available
- Dimensions: (Length x Width x Depth)  
595 x 595 x 60mm
- Refer to page 120 & 121 for ceiling system options

Product	MIR/CIRCULO Recessed LED Modular			
Light Source	LED			
Lamp Power <small>Luminaire lumens (4000K)</small>	/22W 1760lm			/42W 3136lm
Size	/66 595 x 595mm			
Driver	/STD Non Dimming	/DALI DALI Dimming	/SDIM Switch Dimming	/MDIM Mains Dimming
Colour Temperature	/830 3000k	/840 4000k		
Colour	/WH White			
Diffuser Options	/DD Dropped Diffuser			
Emergency	/ME3 Three hour maintained emergency	/ME3-ST Three hour maintained self test emergency	/ME3-PRO Three hour DALI addressable emergency	/ME3-WI Three hour Wireless addressable emergency
To Specify: CIRCULO LED, 42W, 4000k, 3136lm LED modular recessed finished white supplied complete with DALI control gear and dropped dish diffuser. Part code: MIR/CIRCULO/42W/3136lm/66/DALI/840/WH/DD				



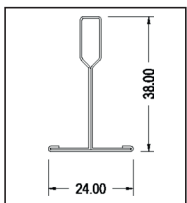
## Ceiling System Options

### General Features

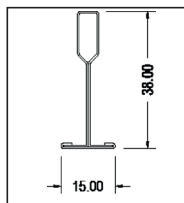
MID Lighting are able to offer recessing brackets for a variety of different sizes and ceiling tile styles for the range of recessed luminaires. We have successfully designed, manufactured and supplied these brackets to a multitude of projects, including W5 Regent Street, South Thames College and many more projects.

### Exposed Tee

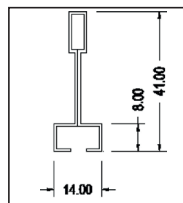
The most common ceiling system available in 15mm or 24mm widths with other widths available. Please ensure the correct tee width and height is specified as different manufacturers supply different height tee sections. Luminaires are generally designed to lift & tilt onto the exposed tee bar but other support methods including side arm brackets or drop rods can also be specified if required.



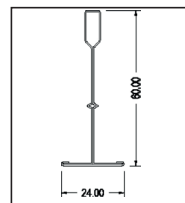
Typical 24mm Tee



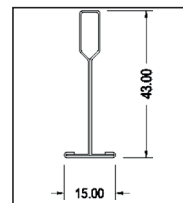
Typical 15mm Tee



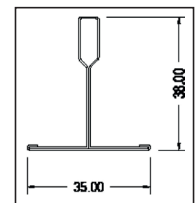
Ecophon Focus Ebx



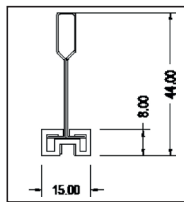
Armstrong Prelude 24 Sixty



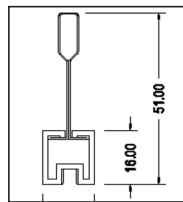
Armstrong Prelude 15



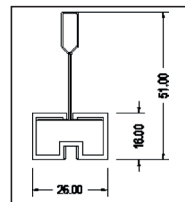
Armstrong T35



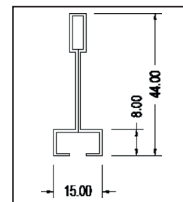
SAS 130 Alugrid Q15/08



SAS 130 Alugrid Q15/16



SAS 130 Alugrid Q26/16

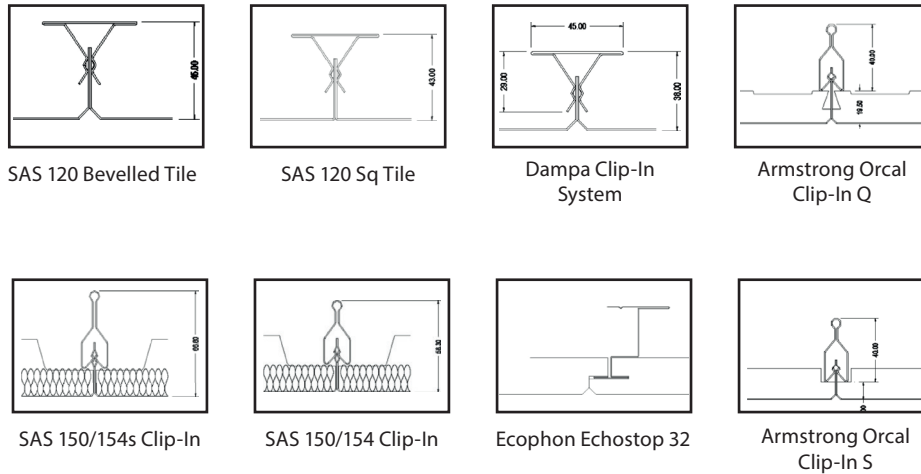


Armstrong Prelude Silhouette XL-XT 15T

### Concealed Tee

A ceiling system where the ceiling tile hides all tee supports. Semi concealed systems are also available which use a main exposed tee bar with concealed cross noggin bars. Please ensure the correct tee width and height is specified as different manufacturers supply different height tee sections.

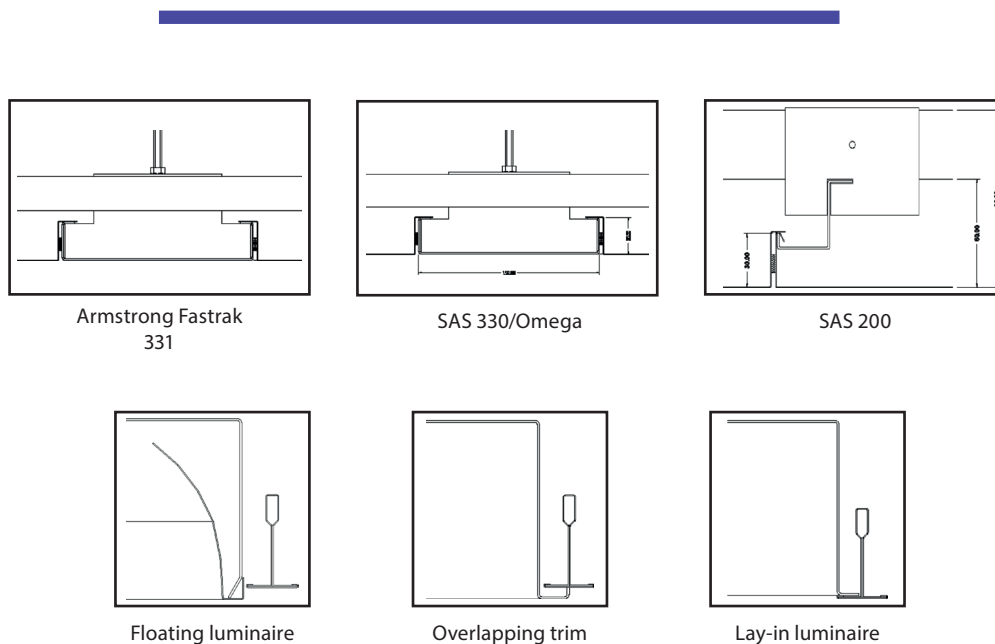
Luminaires are generally designed to fit within the tile aperture and supported via side arm brackets on the tee bar but other support methods including drop rods can also be specified if required.



### Plank ceilings & Luminaire Positioning Options

Linear ceiling tiles supported from each end only by the main tile support beam. Please ensure the correct width and height is specified as different manufacturers supply different height sections. Luminaires are generally designed to lift & tilt onto the exposed tee bar but other support methods including side arm brackets or drop rods can also be specified if required.

Luminaires generally fit within the ceiling system in one of three possible ways and the installation options are dependant upon the ceiling system and tile style being used. Floating luminaire: The luminaire fits within the tile aperture and supported via side arm brackets. This option is usually preferred when a regular tile is being used. Overlapping luminaire: The luminaire trim overlaps the ceiling trim on the underside and is supported via side arm brackets. Lay-In luminaire: The most common method used with exposed tee ceiling systems. The luminaire rests directly on the tee bar removing the need for any the need for additional support brackets.



### Plasterboard

Plasterboard ceilings are self explanatory. An aperture is cut into the plasterboard and lined with wooden battens to locate and support each luminaire. The luminaire is retained within the aperture via side arm brackets or directly screw fixed with its overlapping trim hiding the aperture cut.