

MID 200 SQUARE LED FB RANGE

Nominal 170mm square fixed bezel compact LED downlighter

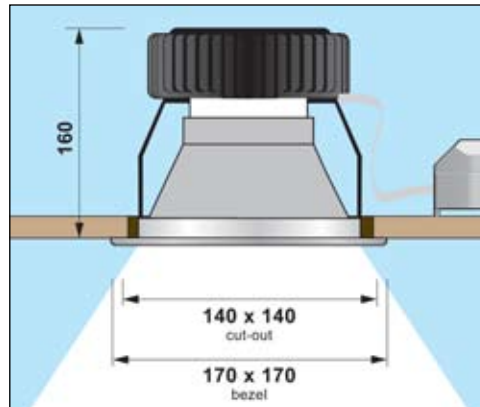
DOWNLIGHTS
& DISPLAY



MID200/SQ/LED with MIRO 27 specular reflector



Energy efficient low maintenance lighting



Dimensions



Philips Fortimo LED lamp & driver

Description

The MID 200 Square LED range features the Philips Fortimo LED & heat sink technology, increasing lamp life and reducing maintenance costs compared to conventional compact fluorescent luminaires. The MID 200 Square range provides an attractive alternative for applications where circular LED downlights would not blend with the interior design.

General Features

- Philips Fortimo white LEDs available with high light output options of (1100lm), (2000lm) and (3000lm).
- Lamps available in (WW) 3000k warm white, (W) 3500k white, (DL) 4000k Daylight & (RGB) colour options
- (MID/200/SQ/LED/F) are designed for food applications with the 70-Ra lamp tuned specifically for reds and green produce. (1800lm) or (2000lm) light output options available
- Graphite thermal transfer system directs heat away from the LED lamp to the active heat sink
- Dimming versions utilise DALI gear which is also suitable for Touch Dim push button protocol
- DMX control for RGB lamps
- Supplied complete with a square die-cast fixed bezel finished white RAL9010 as standard.
- (FCLG/IP54) flush clear glass attachment available providing IP54 rating from below the ceiling line only.
- The Miro 27 highly specular high purity aluminium reflector provides 96% DLOR
- Emergency downlighters have a dedicated Emergency LED located in the ceiling adjacent to the downlighter

Ordering Information

Reference Number	Lamp Lumen Output (lm)	Power (tcW)	Lamp Colour Options		Efficacy (lm/W)	Dimming Options			Reflector Options		Emergency Option
			Temperature (k)	(Ra)		HF	DALI	DMX	FR	SE	
MID/200/SQ/LED/DL	1100lm	16w	4000k	80	69	•	•	/	•	•	•
MID/200/SQ/LED/W	1100lm	16w	3500k	80	69	•	•	/	•	•	•
MID/200/SQ/LED/WW	1100lm	18w	3000k	80	61	•	•	/	•	•	•
MID/200/SQ/LED/DL	2000lm	29w	4000k	80	69	•	•	/	•	•	•
MID/200/SQ/LED/W	2000lm	31w	3500k	80	65	•	•	/	•	•	•
MID/200/SQ/LED/WW	2000lm	33w	3000k	80	61	•	•	/	•	•	•
MID/200/SQ/LED/DL	3000lm	49w	4000k	80	61	•	•	/	•	•	•
MID/200/SQ/LED/F/WW	1800lm	45w	3000k	70	34	•	/	/	•	•	•
MID/200/SQ/LED/F/DL	2000lm	45w	4000k	70	38	•	/	/	•	•	•
MID/200/SQ/LED/RGB	/	40w	2700-6500k	/	/	/	/	/	•	•	•

Emergency Conversion Reference

(RME3) emergency luminaires are supplied with external packs as standard (ME3/ST) self test emergency packs are available. LED located in the ceiling adjacent to the downlighter

Installation Details

- Cut-out aperture - 140 x 140mm

When ordering quote reference number followed by essential & specific options.

Tel: 01494 437962

Fax: 01494 462657

Email: sales@midlighting.co.uk

Due to ongoing research and development specifications are subject to change without prior notice. Some availability subject to minimum order quantity